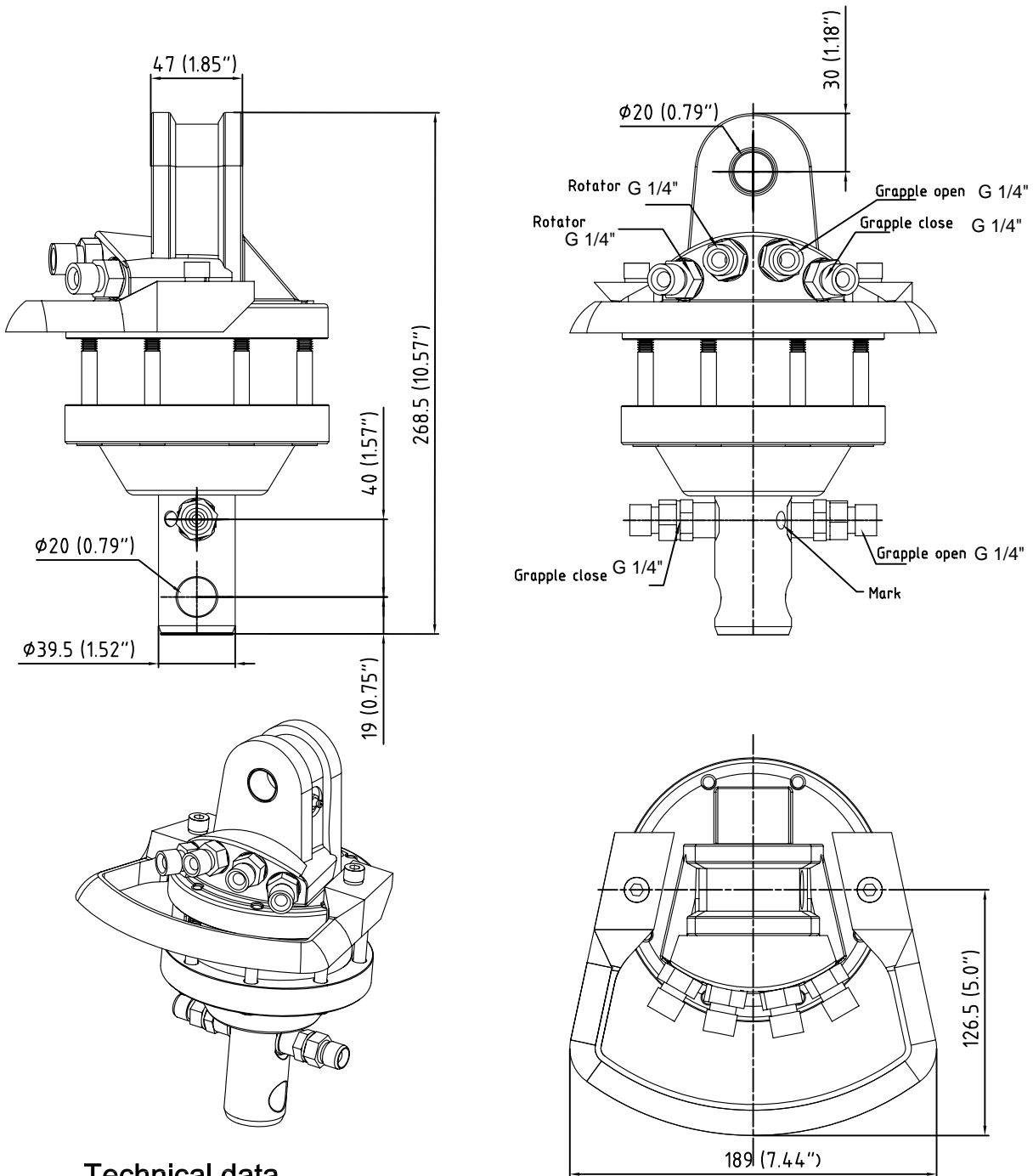


ROTATOR GR-10



Technical data

Rotation :		Unlimited
Max axial load static,KN:		10
Max axial load dynamic,KN:		5
Torque (25MPa) ,Nm:		450
Rated displacement,ml/r:		193
Weight,Kg:		10.2
Max working pressure		connection
Rotator :	←R→ max 25MPa	G 1/4"
Grapple/Tool open :	←G→ max 20MPa	G 1/4"
Grapple/Tool close:	→G← max 30MPa	G 1/4"

RIMA

Xibeiyu Industry Zone, Laizhou, Shandong, China
 Tel:+(86)-186 6387 9840 Fax:+(86)-535-6805690
 E-mail:info@rimamach.com