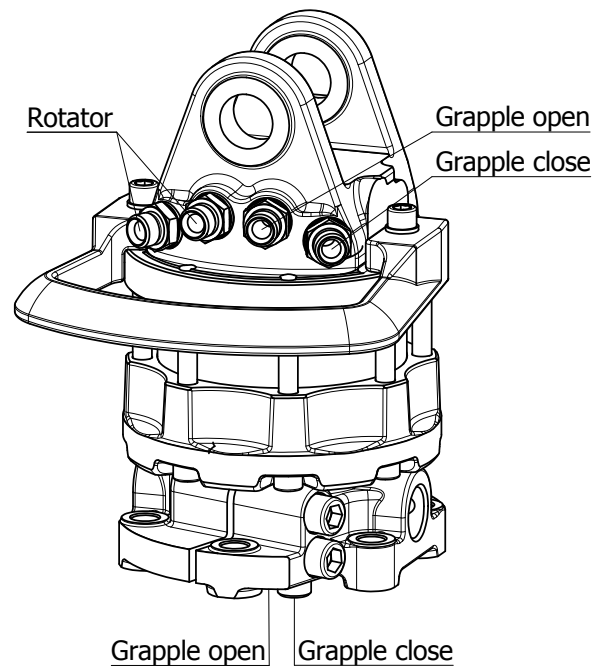
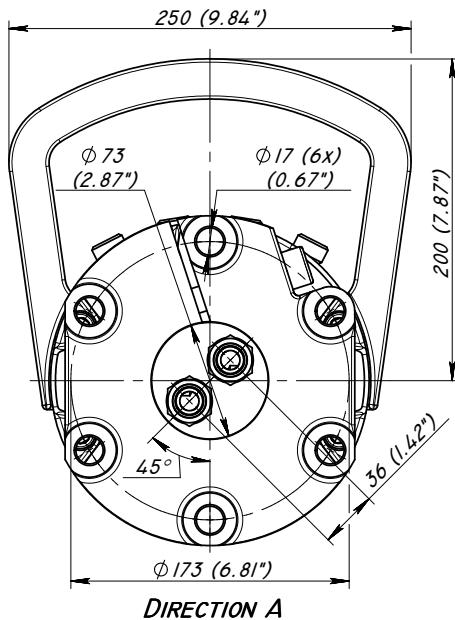
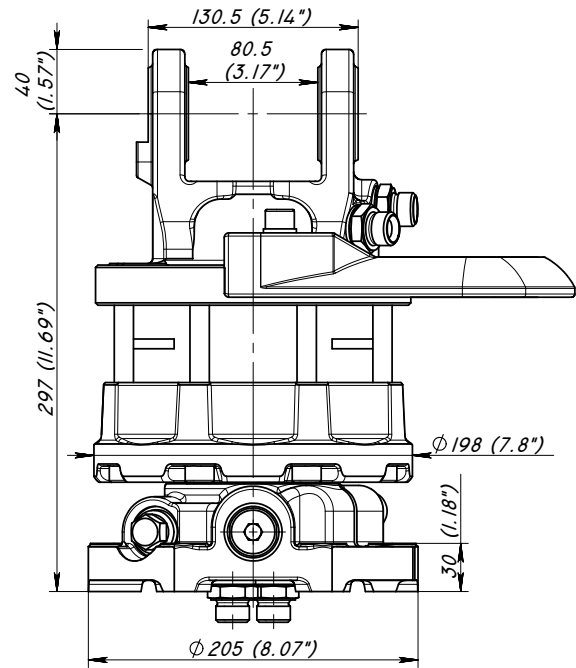
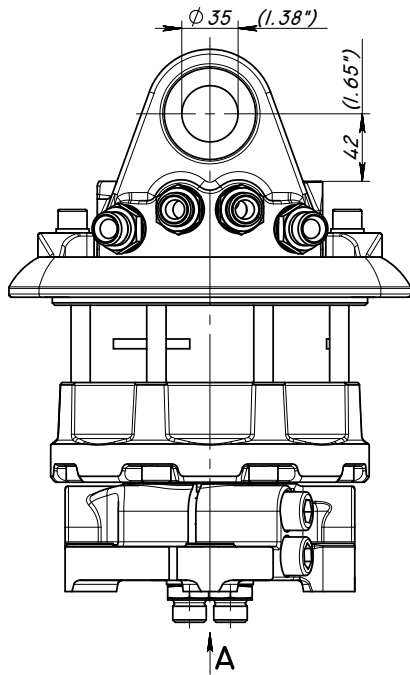


# ROTATOR GR-60F



## Technical data

Rotation :	Unlimited
Max axial load static,KN:	60
Max axial load dynamic,KN:	30
Torque ( 25MPa) ,Nm:	1800
Rated displacement,ml/r:	678
Weight,Kg:	45
Max working pressure	Connection
Rotator :	←R→ max 25MPa G1/2"
Grapple/Tool open :	←G→ max 20MPa G1/2"
Grapple/Tool close:	→G← max 30MPa G1/2"