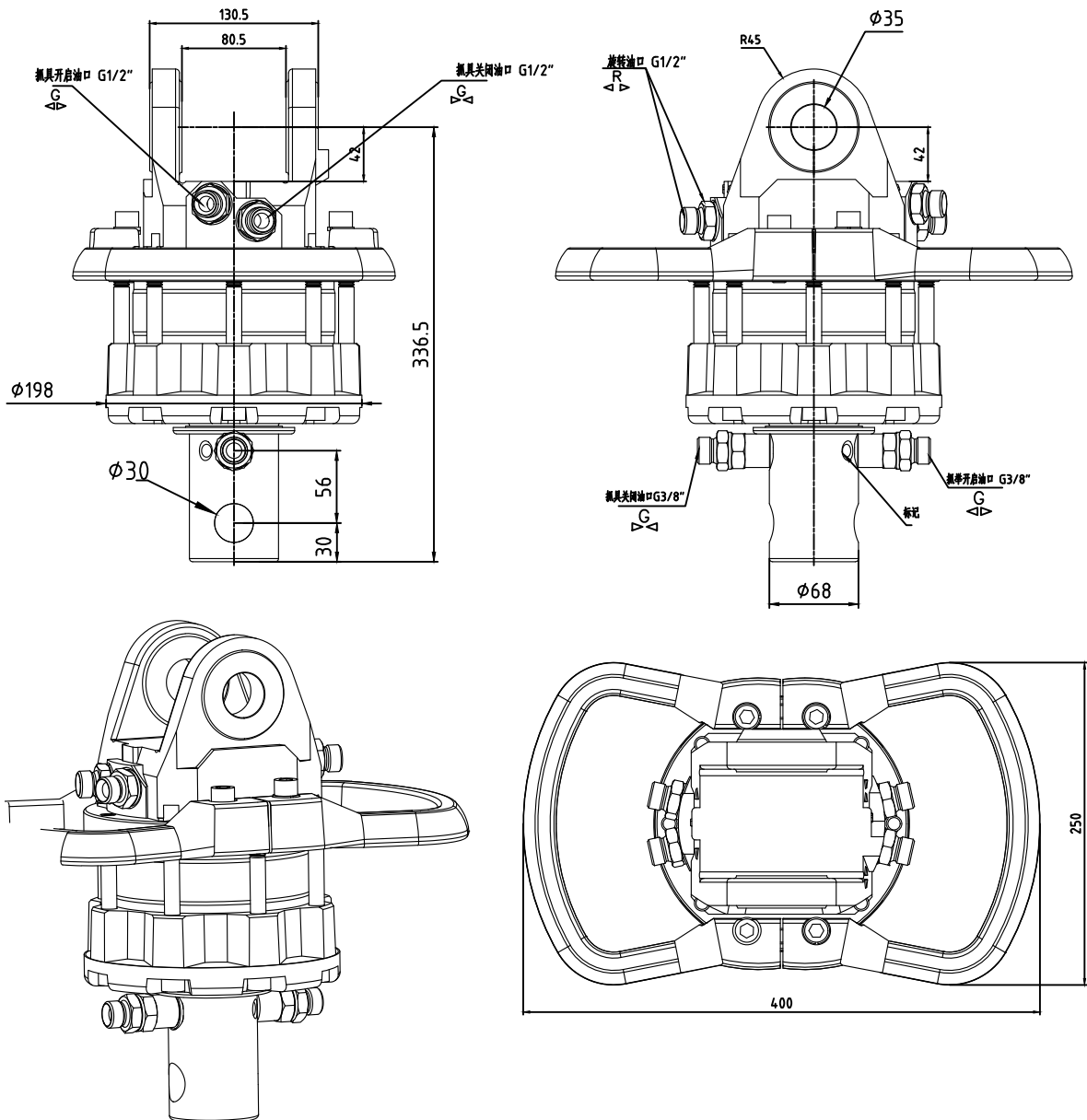


ROTATOR GR-60-2



Technical data

Rotation :		Unlimited
Max axial load static,KN:		60
Max axial load dynamic,KN:		30
Torque (25MPa) ,Nm:		1800
Rated displacement,ml/r:		670
Weight,Kg:		50
Max working pressure		Connection
Rotator :	← R →	max 25MPa
Grapple/Tool open :	← G →	max 20MPa
Grapple/Tool close:	→ G ←	max 30MPa
		G1/2"
		G1/2"
		G1/2"

RIMA

Xibeiyu Industry Zone, Laizhou, Shandong, China
 Tel:+(86)-186 6387 9840 Fax:+(86)-535-6805690
 E-mail:info@rimamach.com